



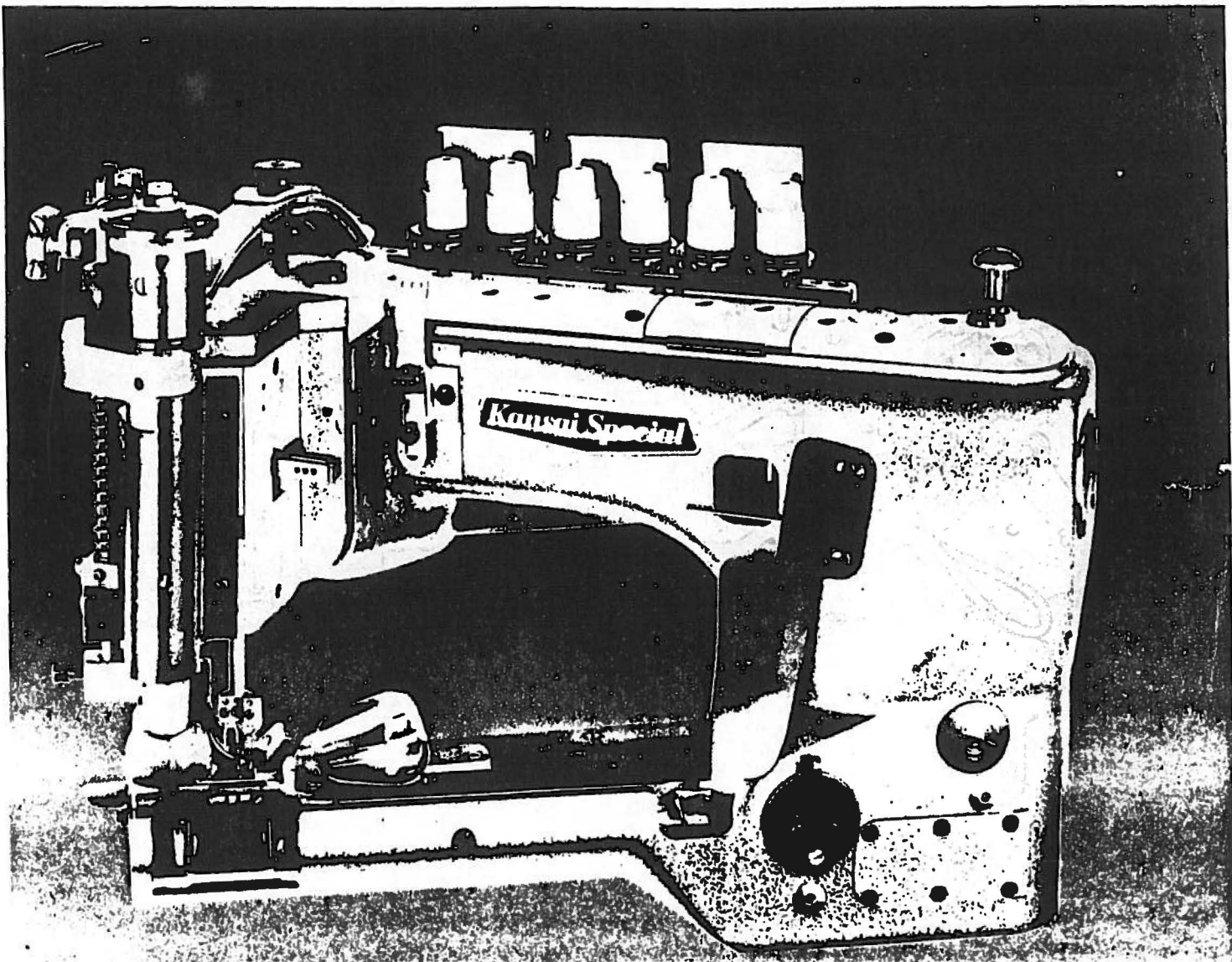
Kansai Special

Industrial Sewing Machine

DFS-603PD

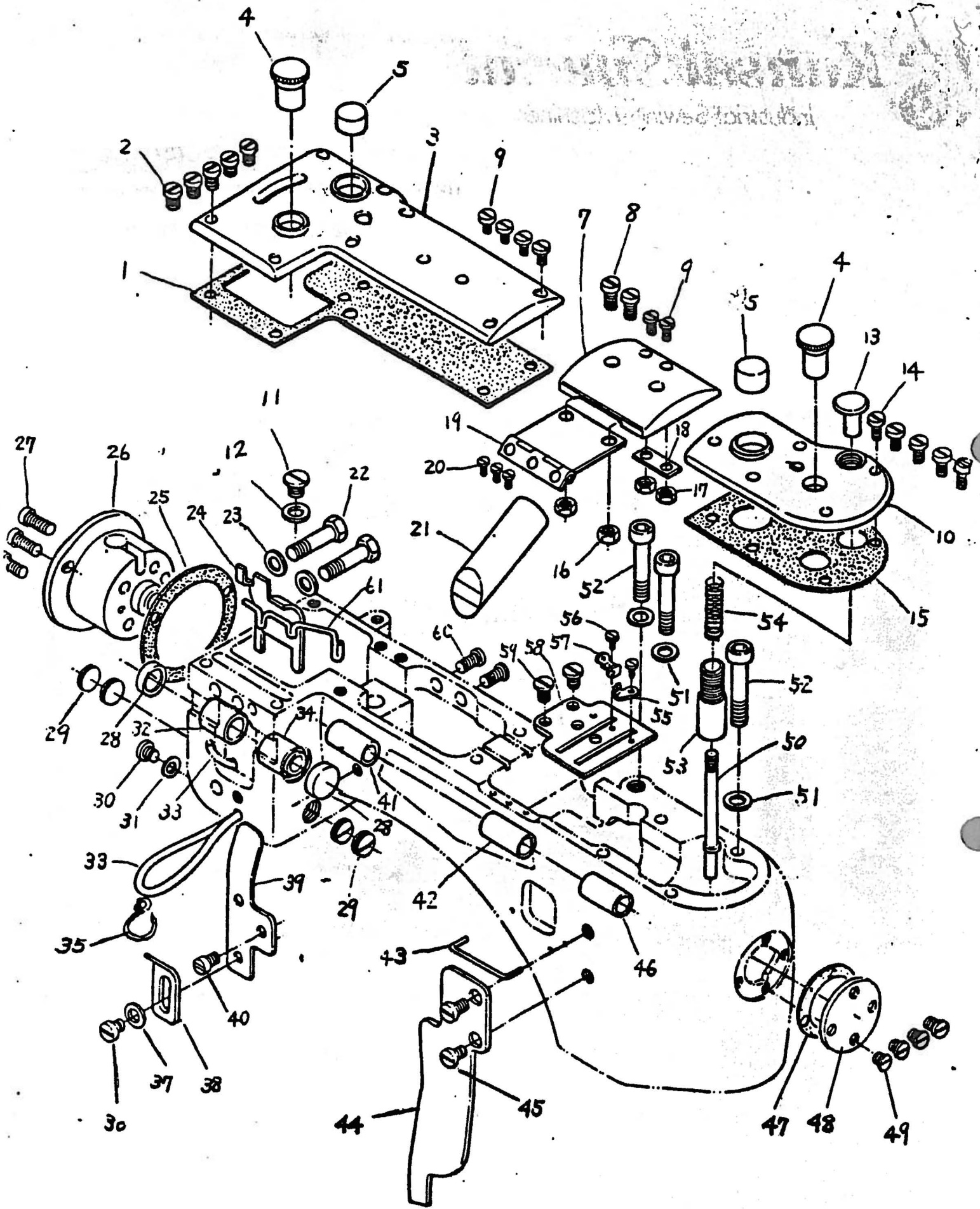
High Speed, Fully Automatic Lubrication System

Lap Seaming Machine

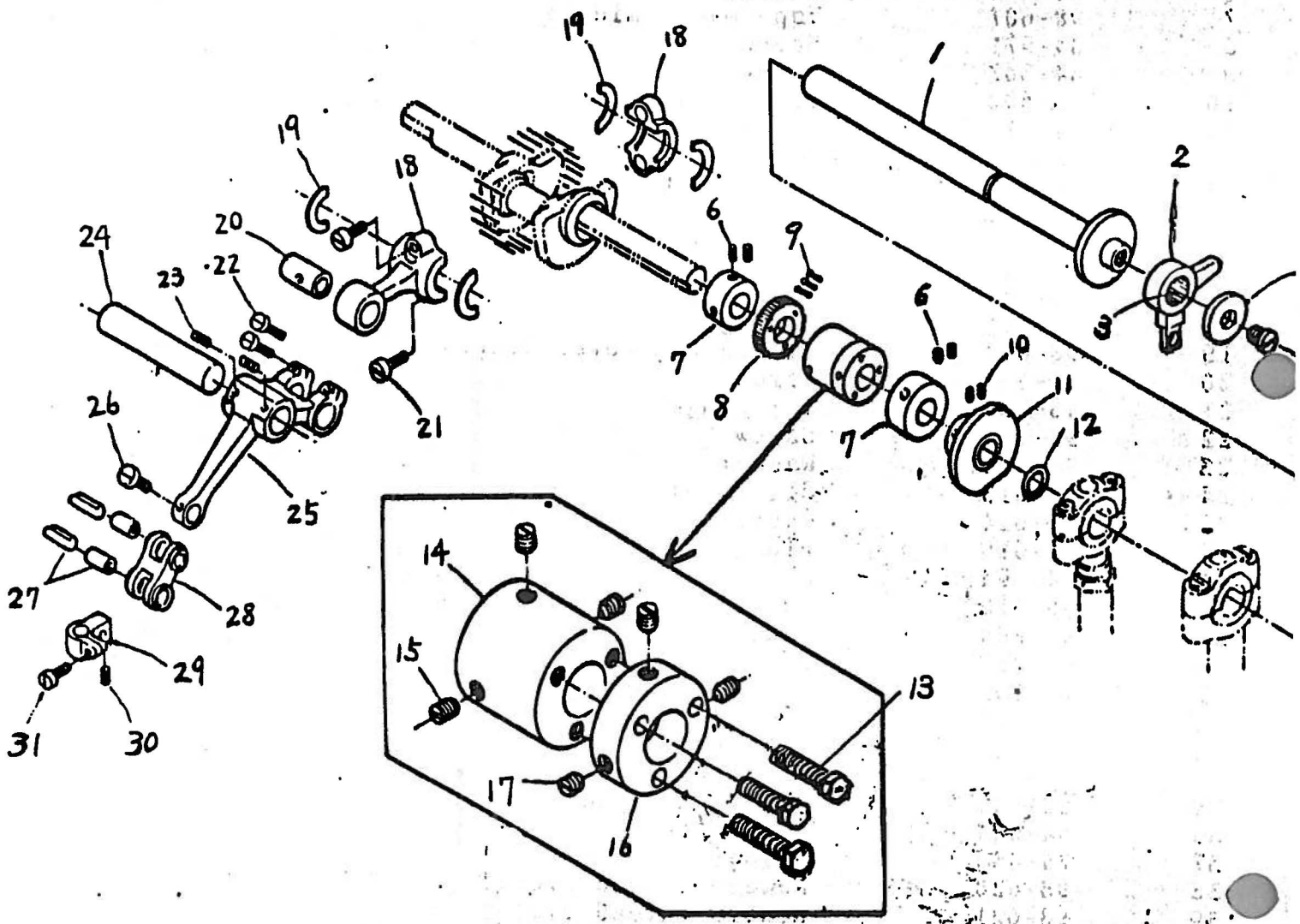


High Speed Feed-Off-The-Arm Machines

From the library of: Superior Sewing Machine & Supply LLC

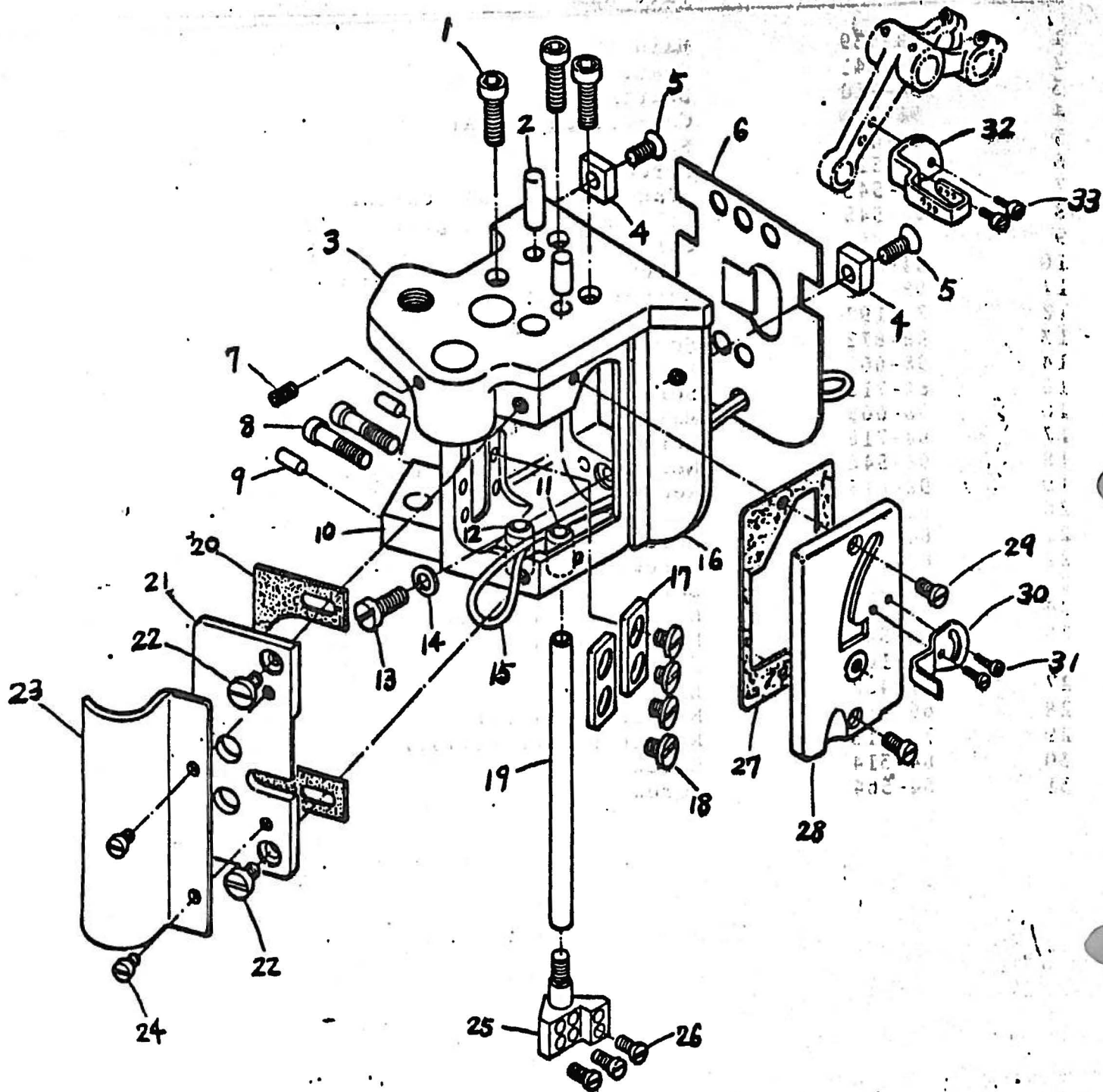


Ref. No.	Part No.	Part Name	Q'ty
1	98-605	Gasket	1
2	84-572	Screw	5
3	98-606	Crank chamber cover	1
4	98-666A,B	Oil cup	2
5	98-737	Oil sight gauge	2
6	84-572	Screw	4
7	98-607	Top cover, middle	1
8	84-571	Screw	2
9	84-362	Screw	2
10	98-608	Top cover, front	1
11	84-574	Screw	1
12	75-467	Washer	1
13	98-609	Looper throw-out plunger Knob	1
14	84-564	Screw	6
15	98-610	Gasket	1
16	86-311	Nut	2
17	86-211	Nut	2
18	98-611	Spring	1
19	98-612	Middle top cover hinge	1
20	84-364	Screw	3
21	98-738	Oil gauge	1
22	98-803	Screw	2
23	98-802	Washer	2
24	98-613	Oil shield	1
25	98-614	Gasket	1
26	98-615	Flange	1
27	84-566	Screw	3
28	98-616	Bushing cup	2
29	98-800	Plug screw	4
30	87-757	Screw	1
31	23-195	O-ring	1
32	98-617	Neddle lever shaft bushing, rear	1
33	98-801	Oil wick	1
34	98-618	Neddle lever shaft bushing, front	1
35	98-743	Oil wicking hook, upper	1
36	84-564	Screw	1
37	75-460	Washer	1
38	98-620	Neddle thread eyelet	1
39	98-621	Neddle thread eyelet	1
40	84-564	Screw	1
41	98-622	Crank shaft bushing, front	1
42	98-623	Main shaft bushing, rear	1
43	98-624	Looper thread guide wire	1
44	98-625	Looper thread shield	1
45	84-574	Screw	2
46	98-626	Main shaft bushing, front	1
47	98-627	Gasket	1
48	98-628	Main frame end cover	1
49	84-161	Screw	3
50	98-629	Looper throw-out plunger	1
51	98-802	Washer	3
52	98-803	Screw	3
53	98-630	Looper throw-out plunger bushing	1
54	98-631	Looper throw-out plunger spring	1
55	98-632	Cast-off plate eyelet, front	1
56	84-161	Screw	2
57	98-633	Cast-off plate eyelet, rear	1
58	98-634	Cast-off plate	1
59	84-574	Screw	2
60	84-566	Screw	2



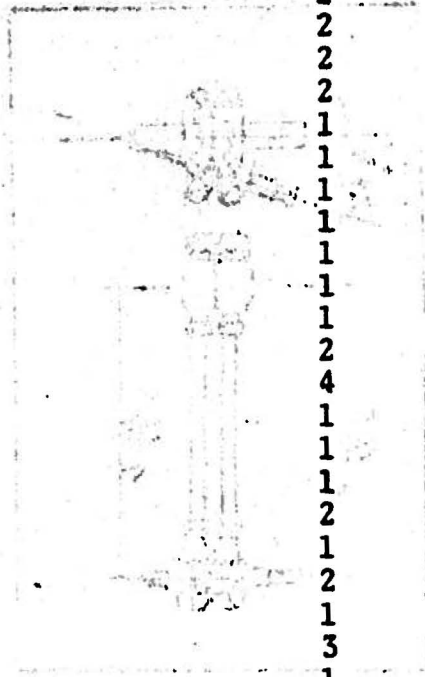
NEEDLE LEVER, CRANKSHAFT AND MAINSHAFT PARTS

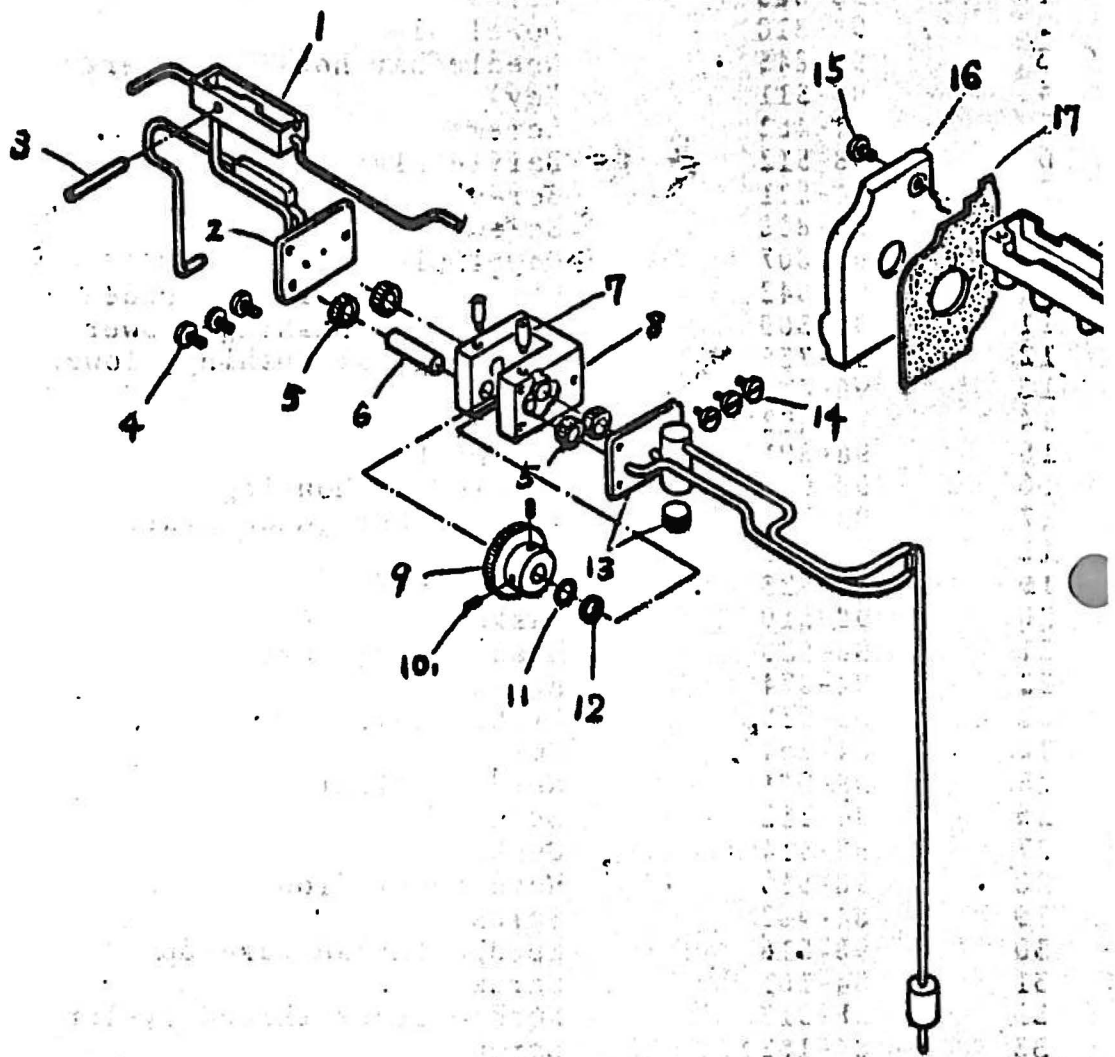
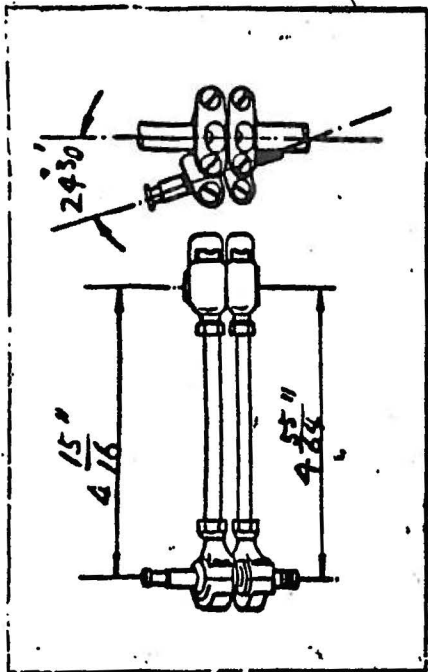
Ref. No.	Part No.	Part Name	Q'ty
1	98-539	Main shaft	1
2	98-541	Connection	1
3	98-860	Bearing	1
4	98-540	Connection collar	1
5	84-664	Screw	1
6	84-521	Screw	2
7	98-543	Crankshaft thrust collar	2
8	98-545	Oil pump driving gear	1
9	98-861	Screw	3
10	84-521	Screw	2
11	98-542	Looper thread take up	1
12	23-197	Oil seal ring	1
13	98-872	Screw	3
14	98-668	Main shaft coupling A	1
15	84-718	Screw	3
16	98-669	Main shaft coupling B	1
17	84-718	Screw	3
18	98-546	Needle lever connecting rod	1
19	98-815	Needle bearing retainer	4
20	98-547	Needle lever connecting rod pin	1
21	84-572	Screw	2
22	84-363	Screw	2
23	84-521	Screw	2
24	98-549	Needle lever shaft	1
25	98-548	Needle lever	1
26	84-161	Screw	1
27	71-432	Link pin	2
28	66-111	Needle lever link	1
29	73-113	Needle bar connection	1
30	84-314	Screw	1
31	84-564	Screw	1



NEEDLE BAR HOUSING, NEEDLE BAR, EYELETS AND COVERS

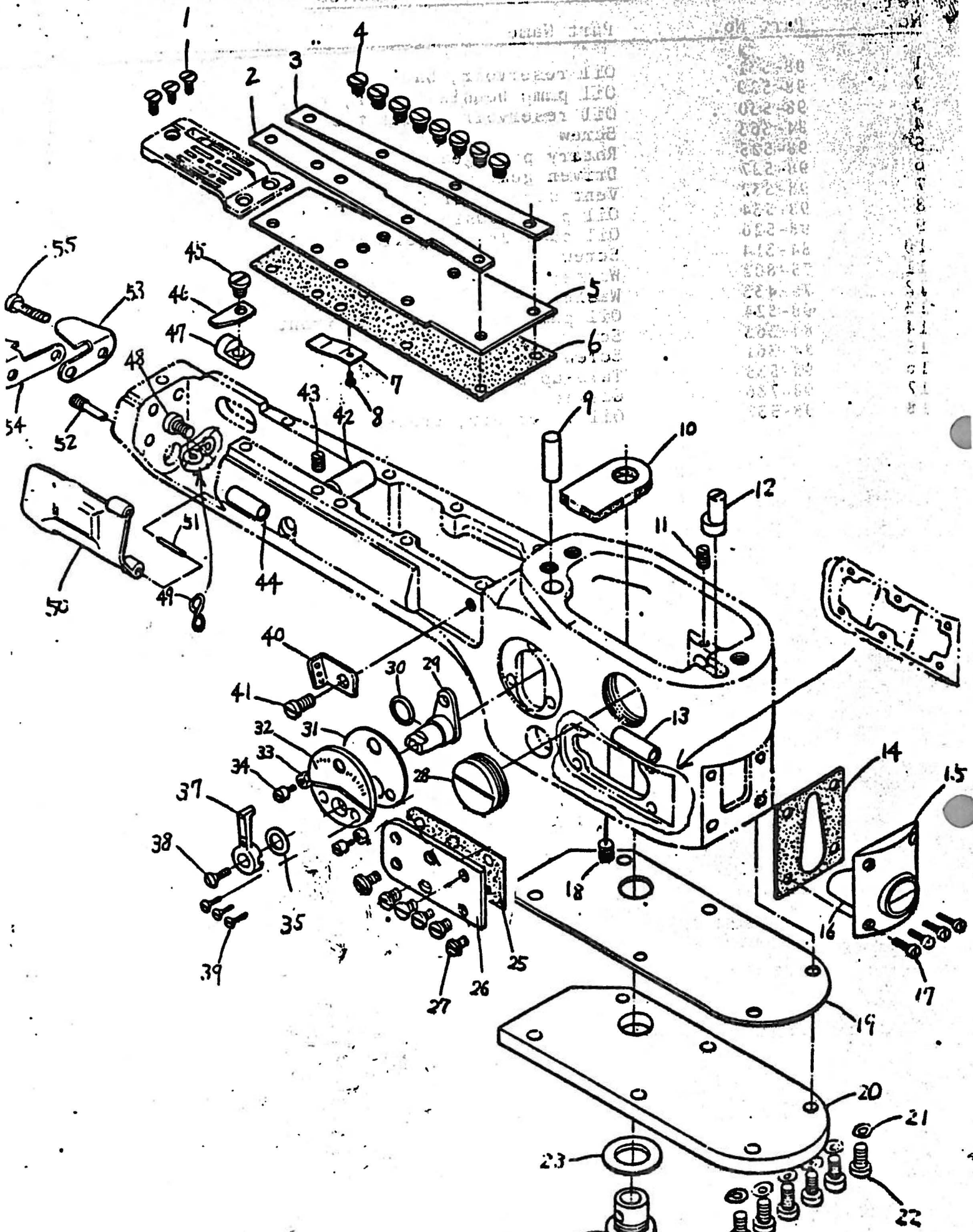
Ref. No.	Part No.	Part Name	Q'ty
1	98-809	Screw	3
2	98-810	Dowel pin	2
3	98-845	Needle bar housing cover	1
4	98-511	Key	2
5	84-462	Screw	2
6	98-512	Baffle plate	1
7	84-521	Screw	2
8	98-808	Screw	2
9	98-807	Dowel pin	2
10	98-842	Roller presser bar guide	1
11	98-509	Needle bar bushing, lower	1
12	98-735	Pressing bar bushing, lower	1
13	98-812	Screw	1
14	75-452	Washer	1
15	98-801	Oil wick	1
16	98-506	Needle bar Housing	1
17	98-517	Presser bar guide plate	2
18	84-362	Screw	4
19	98-523	Needle bar	1
20	98-519	Gasket	1
21	98-520	Head cover, left	1
22	84-574	Screw	2
23	98-521	Clutch cover	1
24	84-364	Screw	2
25	98-901	Needle holder	1
26	84-112	Screw	3
27	98-514	Gasket	1
28	98-515	Head cover front	1
29	84-462	Screw	2
30	98-516	Needle thread take-up	1
31	84-161	Screw	2
32	98-513	Needle lever thread eyelet	1
33	84-162	Screw	2





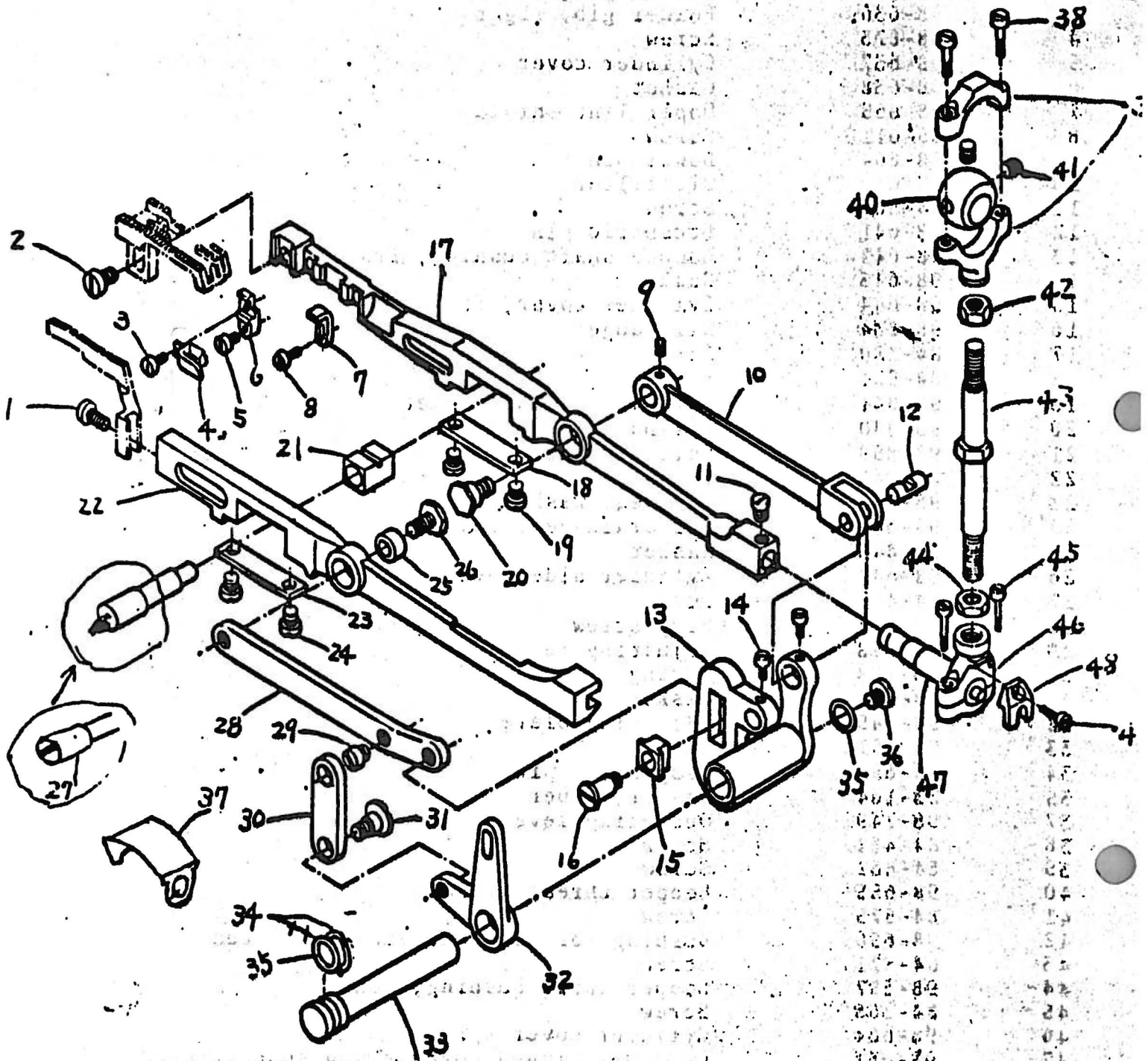
OIL LUBRICATION APPARATUS

Ref. No.	Part No.	Part Name	Q'ty
1	98-531	Oil reservoir, back	1
2	98-529	Oil pump housing cover, rear	1
3	98-530	Oil reservoir outlet tube	1
4	84-363	Screw	3
5	98-525	Rotary pump gear	4
6	98-527	Driven gear shaft	1
7	98-532	Vent screw, for oil pump	2
8	98-534	Oil pump housing	1
9	98-526	Oil pump driven gear	1
10	84-314	Screw	2
11	75-802	Washer	1
12	75-433	Washer	1
13	98-524	Oil pump housing cover, front	1
14	84-363	Screw	3
15	84-361	Screw	2
16	98-535	Take-up shield	1
17	98-736	Gasket	1
18	98-537	Oil reservoir, front	1



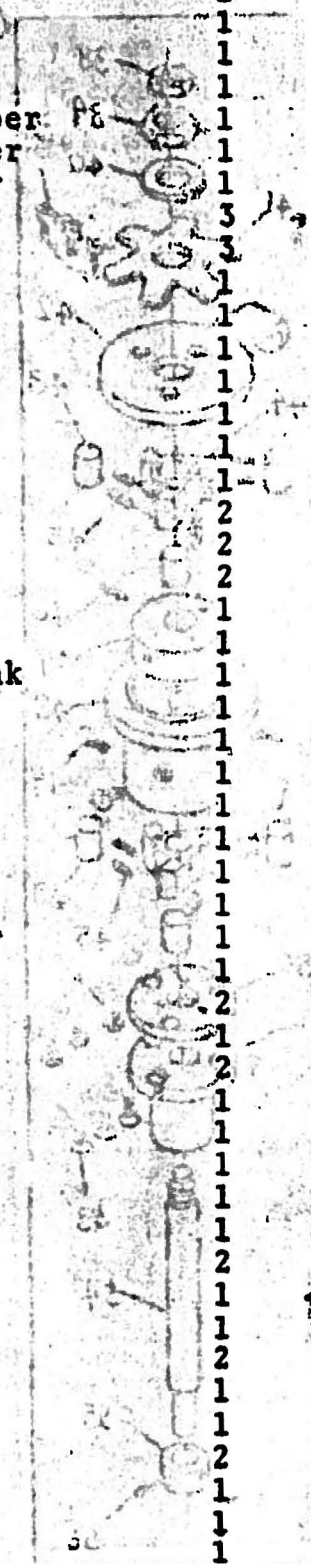
CYLINDER COVERS AND BUSHING

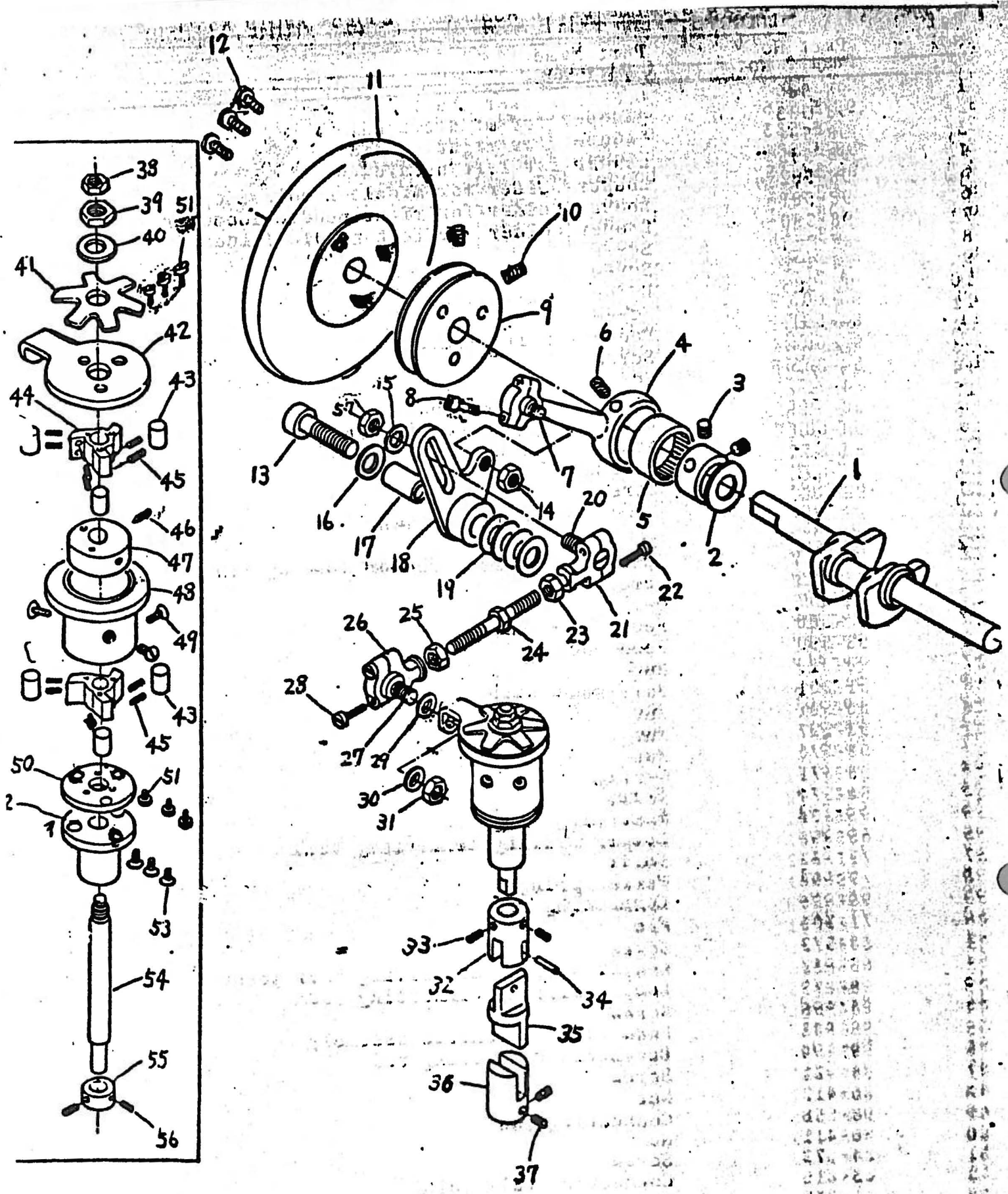
Ref. No.	Part No.	Part Name	Q'ty
1	84-461	Screw	3
2	98-635	Folder gib, left	1
3	98-636	Folder gib, right	1
4	98-873	Screw	8
5	98-637	Cylinder cover	1
6	98-638	Gasket	1
7	98-665	Upper lint shield	1
8	85-611	Screw	1
9	98-804	Dowel pin	1
10	98-639	Oil filter	1
11	84-566	Screw	1
12	98-641	Eccentric pin	1
13	98-642	Looper shaft bushing, front	1
14	98-643	Gasket	1
15	98-644	Cylinder cover, front	1
16	98-734	Oil gauge	1
17	84-380	Screw	4
18	84-521	Screw	1
19	98-841	Cylinder bottom gasket	1
20	98-840	Cylinder bottom cover	1
21	98-859	Shield washer	6
22	84-566	Screw	6
23	98-869	Oil seal washer	1
24	98-645	Oil drainage screw	1
25	98-646	Gasket	1
26	98-647	Cylinder side cover	1
27	84-462	Screw	6
28	87-812	Plug screw	1
29	98-748	Adjusting lever	1
30	23-188	O-ring	1
31	98-746	Gasket	1
32	98-745	Adjusting plate	1
33	98-651	Nut	2
34	98-650	Stop screw pin	2
35	23-164	Washer, fiber	1
37	98-749	Operating lever	1
38	84-462	Screw	1
39	84-462	Screw	3
40	98-655	Looper thread eyelet	1
41	84-575	Screw	1
42	98-656	Bushing for feed bar eccentric stud	1
43	84-521	Screw	1
44	98-657	Looper shaft bushing, rear	1
45	84-366	Screw	1
46	98-664	Cylinder cover spring	1
47	98-661	Cylinder hinged cover spring support stud	1
48	84-374	Screw	1
49	98-806	Looper thread guide wire	1
50	98-659	Hinged cover	1
51	98-658	Pin	1
52	98-660	Screw pin	1
53	98-662	Chain cutter blade, lower	1
54	98-663	Chain cutter blade, upper	1
55	84-376	Screw	2



LOOPERS, FEED DRIVE ASSEMBLY, LOOPER AVOID ASSEMBLY

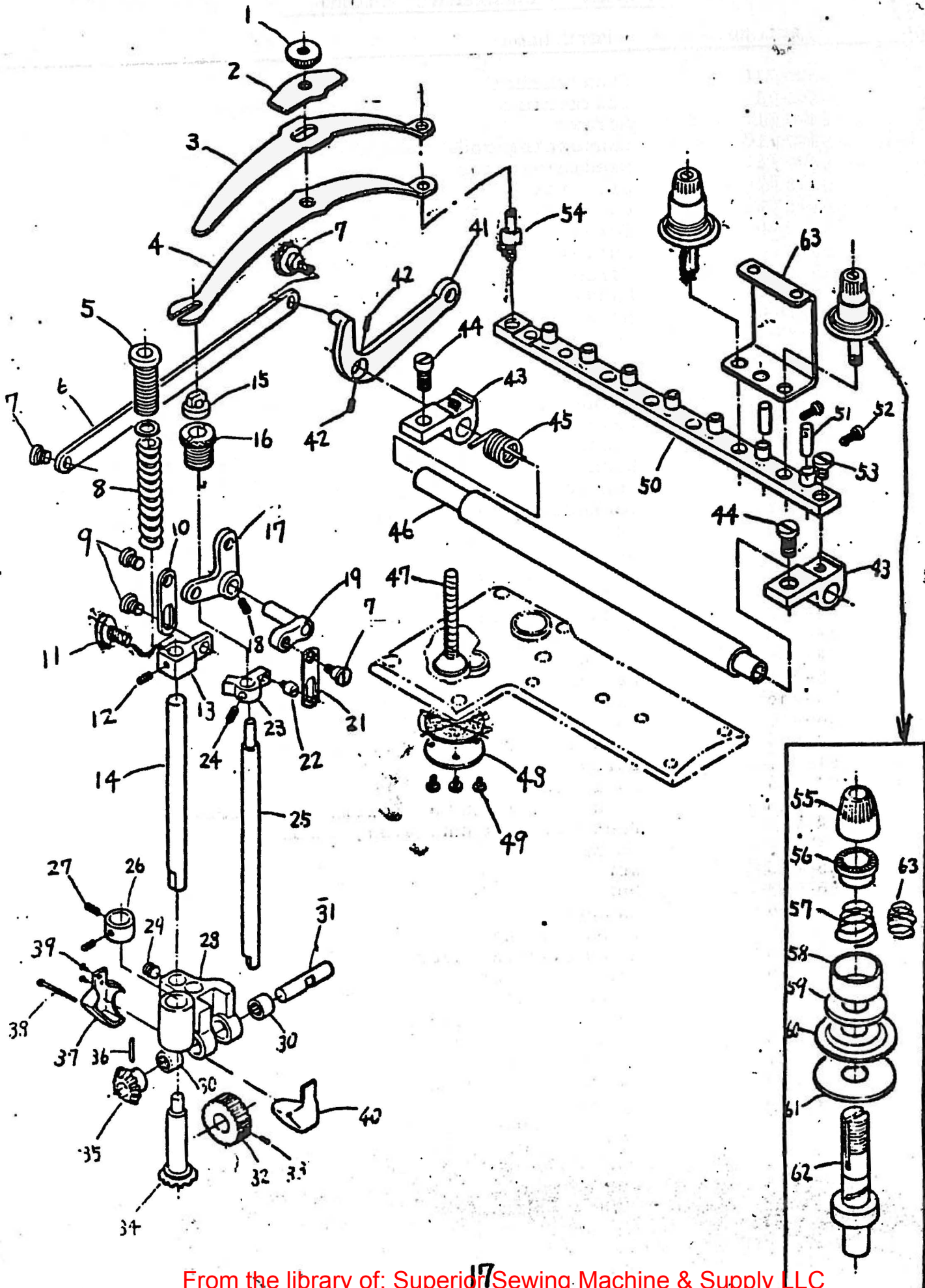
Ref. No.	Part No.	Part Name	Q'ty
1	98-586	Looper rocker shaft	1
2	98-583	Looper, for middle needle	1
3	98-584	Looper, for right needle	1
4	98-585	Looper for left needle	1
5	98-582	Looper holder for middle needle	1
6	98-581	Looper holder for right needle	1
7	98-580	Looper holder for left needle	1
8	84-364	Screw	3
9	84-362	Screw	3
10	98-603	Looper shaft collar	1
11	84-591	Screw	1
12	98-604	Looper shaft sleeve	1
13	84-363	Screw	1
14	84-713	Screw	1
15	98-599	Stud for looper shaft sleeve	1
16	98-600	Connecting rod bearing shell	1
17	98-821	Needle bearing	2
18	98-601	Ferrule	2
19	98-864	Screw	2
20	98-589	Feed rocker driving link	1
21	98-556	Link pin	1
22	98-573	Bushing, for feed rocker driving link	1
23	98-865	Screw	1
24	98-857	O-ring	1
25	98-566	Feed drive shaft	1
26	98-590	Feed rocker	1
27	98-819	Nut	1
28	51-201	Ball stud washer	1
29	86-501	Nut	1
31	98-597	Nut	1
32	98-876	Nut	1
33	98-871	O-ring	2
34	84-574	Screw	1
35	93-201	REtaining ring	2
36	65-902	Looper driving connecting link	1
37	71-322	Shaft	1
38	79-601	Plate spring	1
39	98-598	Connecting rod	1
40	71-201	Pin	1
41	84-572	Screw	2
42	63-812	Looper driving connecting ball joint	1
43	98-875	Looper driving connecting rod	1
44	84-568	Screw	2
45	98-843	Feed drive eccentric assembly	1
46	98-594	Eccentric connecting rod	1
47	84-521	Screw	2
48	86-412	Nut	1
49	98-558	Connecting rod	1
50	86-411	Nut	1
51	84-572	Screw	2
52	63-816	Connecting ball joint	1
53	61-831	Connecting rod	1
54	86-411	Nut	1
59	86-412	Nut	1



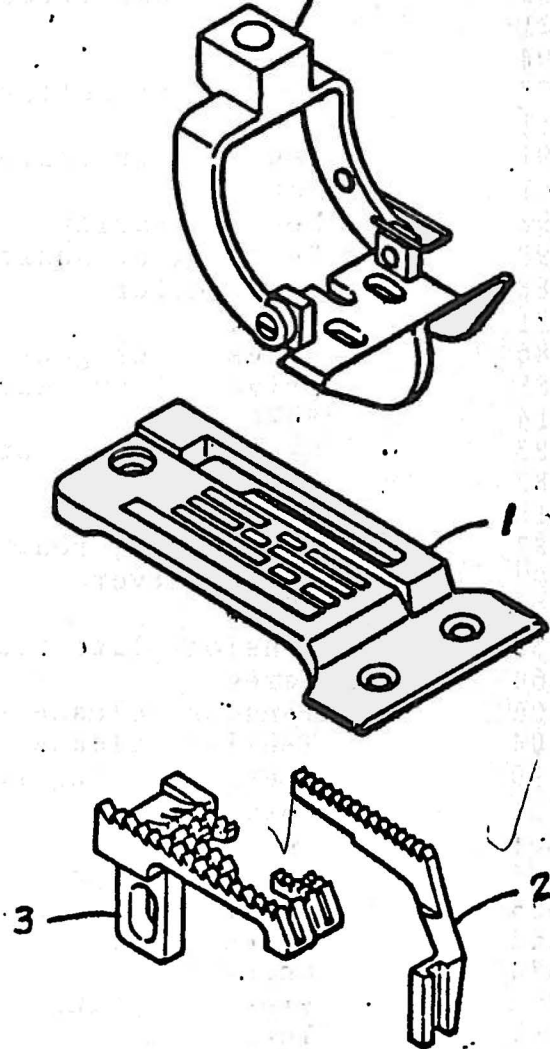
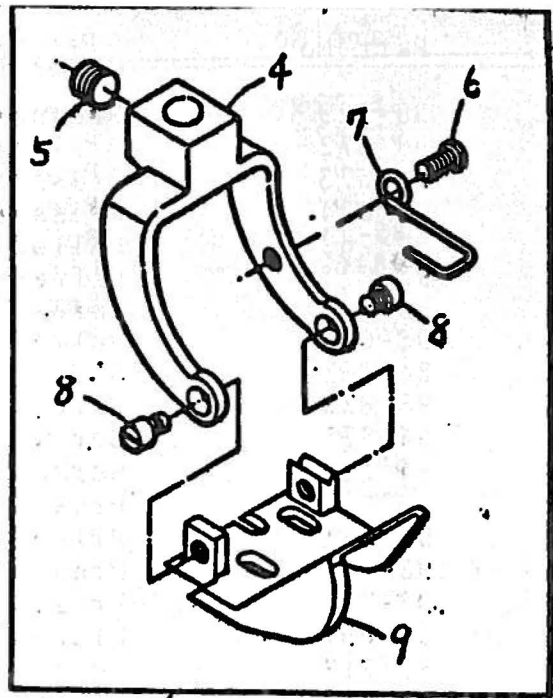
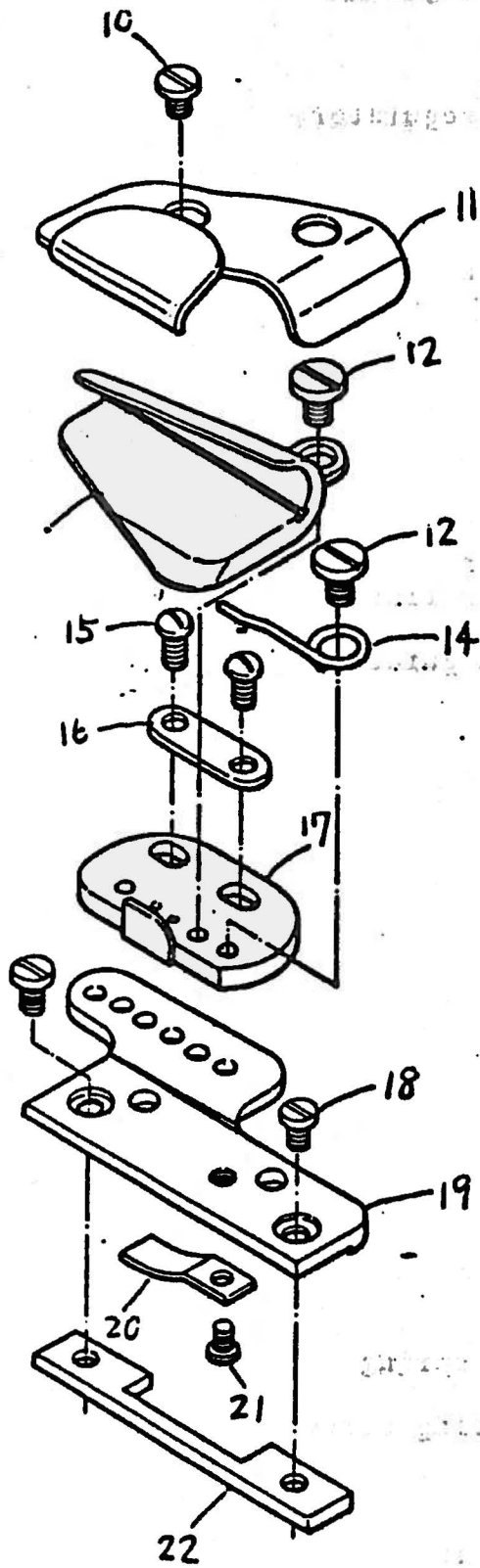


PULLEY, CRANKSHAFT, CLUTCH

Ref. No.	Part No.	Part Name	Q'ty
1	98-710	Crankshaft	1
2	98-711	Eccentric	1
3	84-718	Screw	2
4	98-713	Connecting rod	1
5	98-712	Needle bearing	1
6	98-826	Oil wick	1
7	61-823	Connecting rod	1
8	84-564	Screw	2
9	98-714	Pulley	1
10	85-114	Screw	2
11	98-827	Handwheel	1
12	84-765	Screw	3
13	98-854	Screw	1
14	86-411	Nut	1
15	75-446	Washer	1
16	75-356	Washer	1
17	98-716	Lever bushing	1
18	98-717	Clutch driving lever	1
19	75-356	Washer	4
20	61-821	Connecting rod	1
21	63-816	Connecting ball joint	1
22	84-564	Screw	2
23	86-411	Nut	1
24	65-433	Connecting rod	1
25	86-412	Nut	1
26	63-812	Connecting ball joint	1
27	61-823	Connecting rod	1
28	84-564	Screw	2
29	75-446	Washer	1
30	75-446	Washer	1
31	86-411	Nut	1
32	98-724	Feed roller connection, upper	1
33	84-521	Screw	2
34	98-725	Roll pin	1
35	98-723	Feed roller drive floating connection	1
36	98-722	Feed roller connection, lower	1
37	84-521	Screw	2
38	86-413	Nut	1
39	86-761	Nut	1
40	75-356	Washer	1
41	79-551	Brake spring	1
42	98-718	Clutch drive lever	1
43	71-466	Clutch roller	6
44	02-101	Clutch disc	2
45	79-191	Clutch roller spring	12
46	84-719	Screw	1
47	02-261	Barrel core	1
48	01-808	Drive lever brake	1
49	84-463	Screw	3
50	98-719	Locking spacer plate	1
51	84-162	Screw	6
52	98-720	Lower bearing	1
53	84-463	Screw	3
54	98-721	Feed drive shaft	1
55	98-829	Collar	1
56	84-311	Screw	2
57	86-501	Nut	1



No.	Part No.	Part Name	Q't
1	98-729	Presser spring regulating nut	1
2	98-672	Presser spring plate	1
3	98-673	Presser spring, upper	1
4	98-674	Presser spring, lower	1
5	85-762	Puller presser spring regulator	1
6	98-676	Lifter lever link	1
7	98-677	Screw	3
8	98-678	Puller presser spring	1
9	84-581	Screw	2
10	98-822	Lifter lever crank link	1
11	84-571	Screw	1
12	84-511	Screw	1
13	98-680	Presser bar connection	1
14	98-681	Puller presser bar	1
15	98-701	Presser spring rest	1
16	98-700	Presser bar screw	1
17	98-697	Lifter lever crank	1
18	84-712	Screw	1
19	98-707	Presser bar lifterlever	1
21	98-708	Lifter lever connecting link	1
22	84-561	Screw	1
23	98-695	Presser bar lifter and guide	1
24	84-521	Screw	1
25	98-694	Presser	1
26	98-693	Drive gear collar	1
27	84-511	Screw	2
28	98-691	Feed puller frame	1
29	84-761	Screw	1
30	98-692	Needle bearing	2
31	98-690	Feed puller shaft	1
32	98-688	Feed puller	1
33	84-521	Screw	1
34	98-686	Drive miter gear	1
35	98-685	Driven miter gear	1
36	84-314	Screw	2
37	98-683	Gear cover, front	1
38	98-682	Screw	1
39	84-115	Screw	2
40	98-687	Gear cover, rear	1
41	98-702	Lifter lever	1
42	84-761	Screw	2
43	98-732	Tension plate bracket	2
44	84-564	Screw	2
45	98-706	Tension release shaft spring	1
46	98-704	Tension release shaft	1
47	98-699	Presser spring regulating screw	1
48	98-731	Cover plate	1
49	84-361	Screw	3
50	98-705	Tension support	1
51	98-825	Tension disc release pin	7
52	84-362	Screw	6
53	84-574	Screw	1
54	98-703	Presser spring rest	1
55	41-101	Tension disc cover (small)	6
56	41-105	Tension disc ratchet	6
57	41-701	Needle thread tension spring	3
58	41-107	Tension disc cover (large)	6
59	23-324	Felt	6
60	98-823	Tension disc (large)	6
61	41-111	Tension disc (small)	6
62	00 024		



GAUGE PARTS AND ATTACHMENTS

Ref. No.	Part No.	Part Name	Q'ty
1	98-902	Needle plate (9 gauge)	1
2	98-905	Differential feed dog	1
3	98-904	Main feed dog	1
4	98-903	Presser foot shank	1
5	84-726	Screw	1
6	84-161	Screw	1
7	98-830	Spring	1
8	98-903	Screw	2
9	98-903	Presser foot bottom	1
10	84-161	Screw	1
11	98-839	Upper Scroll	1
12	98-837	Screw	2
13	98-838	Lower scroll	1
14	98-836	Lower scroll spring	1
15	84-361	Screw	2
16	98-831	Clamp plate	1
17	98-832	Lower scroll support	1
18	84-191	Screw	2
19	98-833	Folder support slide, right	1
20	98-834	Folder support spring	1
21	84-163	Screw	1
22	98-835	Folder support slide, left	1

